



BULLETIN No: 1

ISSUED BY CLERK OF THE COURSE

DATE: Thursday 28 October 2021

TIME: 20:00

TO: All Competitors

FROM: Clerk of the Course

No of pages: 6 including Attachments: 3

1. **SS3 BROOK MAP & OVERVIEW MAP**

Please see attached revised maps. These reflect the correct layout of Inst 7, 8 & 9 as per the Roadbook

2. **RECONNAISSANCE SCHEDULE**

Cars are to commence their Recce at the start of the Stages as per the car number allocations below. You **MUST** start at the stage indicated however after that stage you are free to recce the remaining stages in any order.

SS1 – KELLY

3, 4, 7, 18, 19, 25, 26, 32, 38, 45, 46, 51, 66, 71, 95, 96

SS2 – WRIGHTS

5, 11, 20, 30, 33, 43, 44, 47, 56, 58, 60, 73, 74, 79, 84, 91

SS3 - BROOK

10, 12, 14, 21, 24, 28, 29, 40, 49, 67, 75, 85, 88, 92, 93

Instructions to get to stage:

SS1 – follow the roadbook to the start of SS1

SS2 – See Map <https://goo.gl/maps/5AKDj1Q4YvDrRHtR6>

0.0km TR onto Forrest Street

0.14km TR Prinsep Street

0.30km SO Coalfields Hwy

1.63km TR Mungalup Road

19.73km TR Wights Road

Follow sign to SS2 Start

SS3 – See attached Route Instructions

3. **RALLYSAFE UNITS**

Rallysafe units can be collected from the Service Park from 8.30am Saturday morning.

and **MUST** be fitted and POWERED on **BEFORE the Drivers Briefing**. Failure to do so may result in the competitor being referred to the Stewards who may impose a penalty.

Rallysafe units **MUST** be returned at the conclusion of the event. Units are to be removed from your car and returned at Parc Ferme. If you withdraw or fail to complete the rally your Rallysafe unit must be returned to Rally HQ prior to the conclusion of the event, or to the collection location in Parc Ferme.

4. **CLUBMAN ASSEMBLY**

To facilitate the commencement of the Clubman Masters and the Clubman Cup competitors from TC3 an Assembly Area will be established prior to TC3.

Clubman Masters and Clubman Cup competitors will be required to reach the Assembly Area by 15:15hrs.

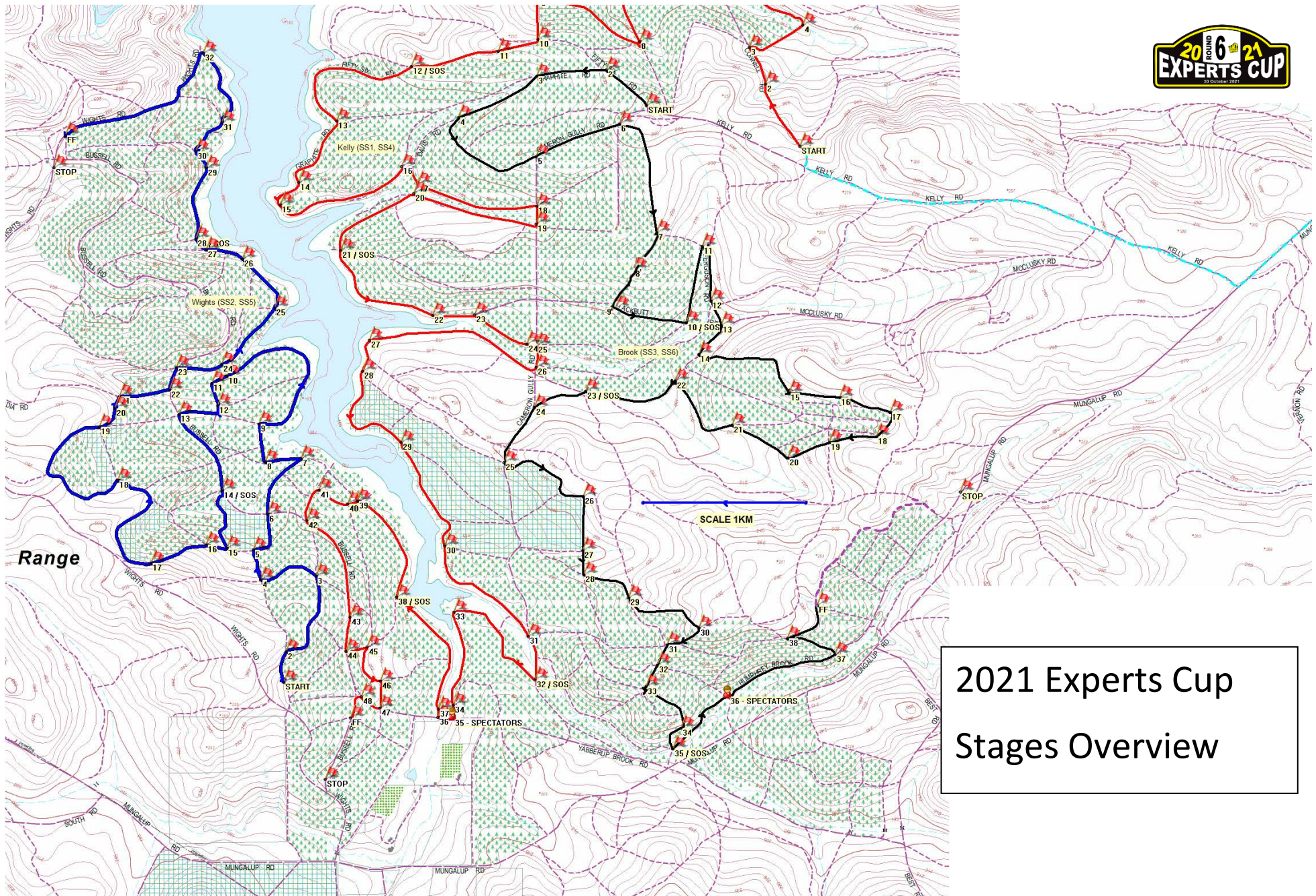
The Clubman Masters and the Clubman Cup Road Book is to be followed from TC0 (Inst 1) to Assembly Area prior to Inst 14.

The distance from TC0 to TC3 is 16.17Km with an estimated travel time of 20minutes.
There will be no need to book out at TC0.

Timecards will be available at the Drivers Briefing.

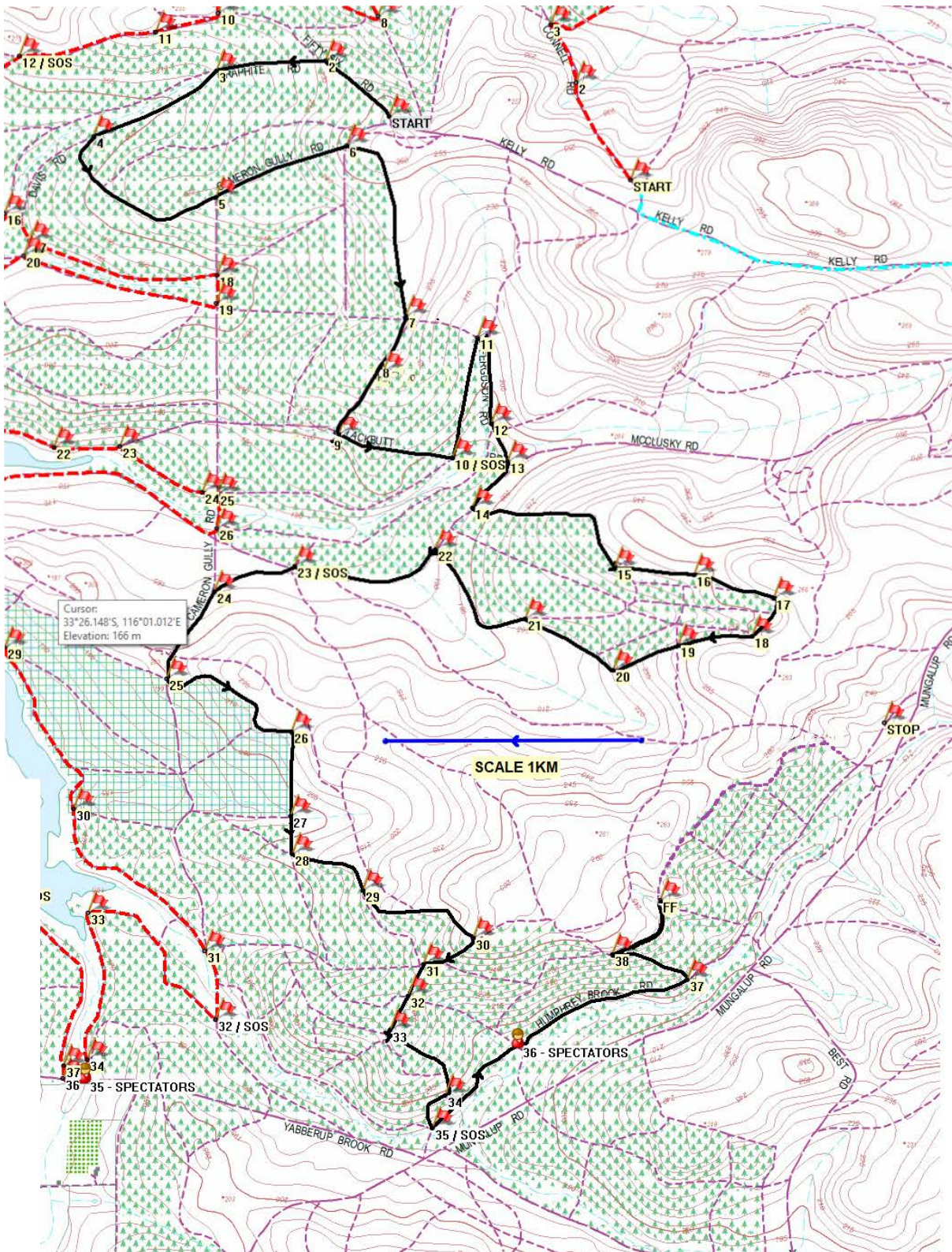
Follow the directions of the Official at the Assembly Area.

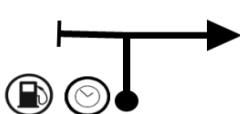


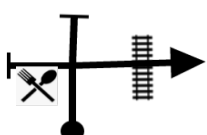

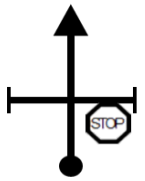


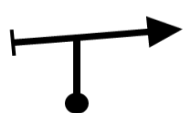

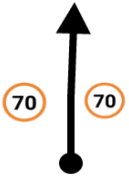

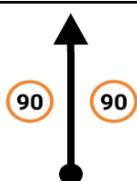


Neil Trethowen
Clerk of the Course






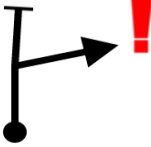

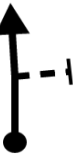


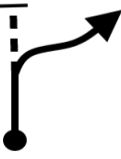



2021 Experts Cup
Stages Overview

Brook Stage 3 and 6



From TC 0 Collie Service Out		DISTANCE: 16,17 Km		DAY: Saturday				
To TC 3/6 Fifty Six Rd		AVERAGE: 34.65 kph		SECTION: 1				
		TIME ALLOWED: 28 min						
DISTANCE		DIRECTION	INFORMATION	DISTANCE REGRESS				
TOTAL	PARTIAL							
0,00	0,00	 1	 TC 0 Collie Service Out  <table border="1" data-bbox="1069 436 1204 526"> <tr><td>S-033°21.449'</td></tr> <tr><td>E-116°08.984'</td></tr> <tr><td>ALT: 292 m</td></tr> </table>	S-033°21.449'	E-116°08.984'	ALT: 292 m	16,17	
S-033°21.449'								
E-116°08.984'								
ALT: 292 m								
0,14	0,14	 2	 TR (at Traffic Lights)	16,03				
0,30	0,16	 3	  SO	15,87				
1,63	1,33	 4	 TR	14,54				
1,85	0,22	 5	 70km/h Start ODO Check	14,32				
2,23	0,38	 6	 90 km/h	13,94				
3,59	1,36	 7	SO	12,58				

PROXIMA NOTA
 PROCH NOTE
 NEXT NOTE **3,26**

From TC 0 Collie Service Out		DISTANCE: 16,17 Km		DAY: Saturday	
To TC 3/6 Fifty Six Rd		AVERAGE: 34.65 kph		SECTION: 1	
		TIME ALLOWED: 28 min			
DISTANCE		DIRECTION	INFORMATION	DISTANCE REGRESS	
TOTAL	PARTIAL				
6,85	3,26	 8	End ODO Check 5.00KM	9,32	
11,34	4,49	 9	 SO	4,83	
12,22	0,88	 10	 TR Watch for opposing rally traffic	3,95	
15,09	2,87	 11	 SO	1,08	
15,90	0,81	 12	SO	0,27	
16,13	0,23	 13	TR into TC	0,04	
16,17	0,04	 14	 TC 3/6 Fifty Six Rd (0,0)  S-033°24.968' E-116°01.851' ALT: 259 m	0,00	